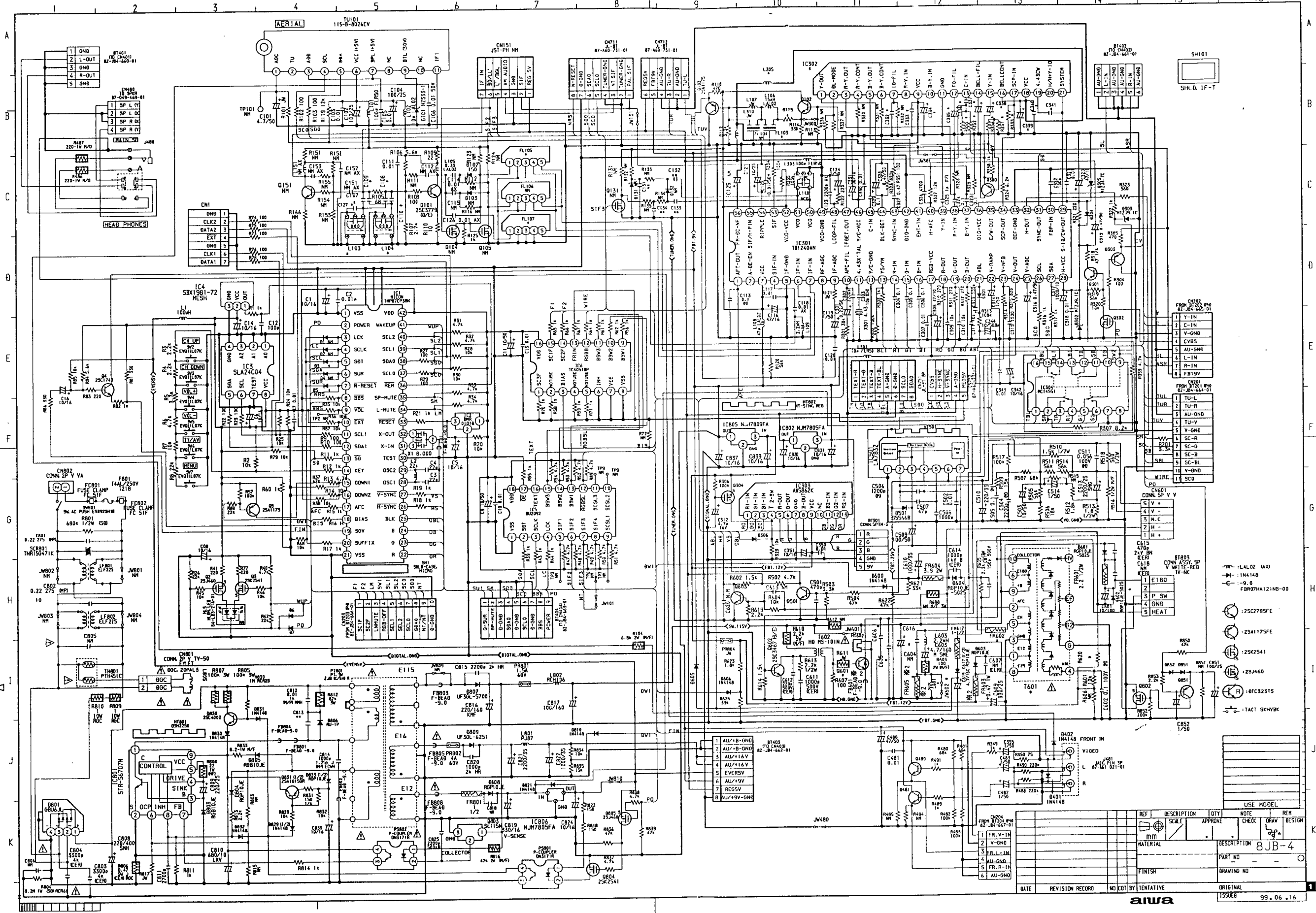
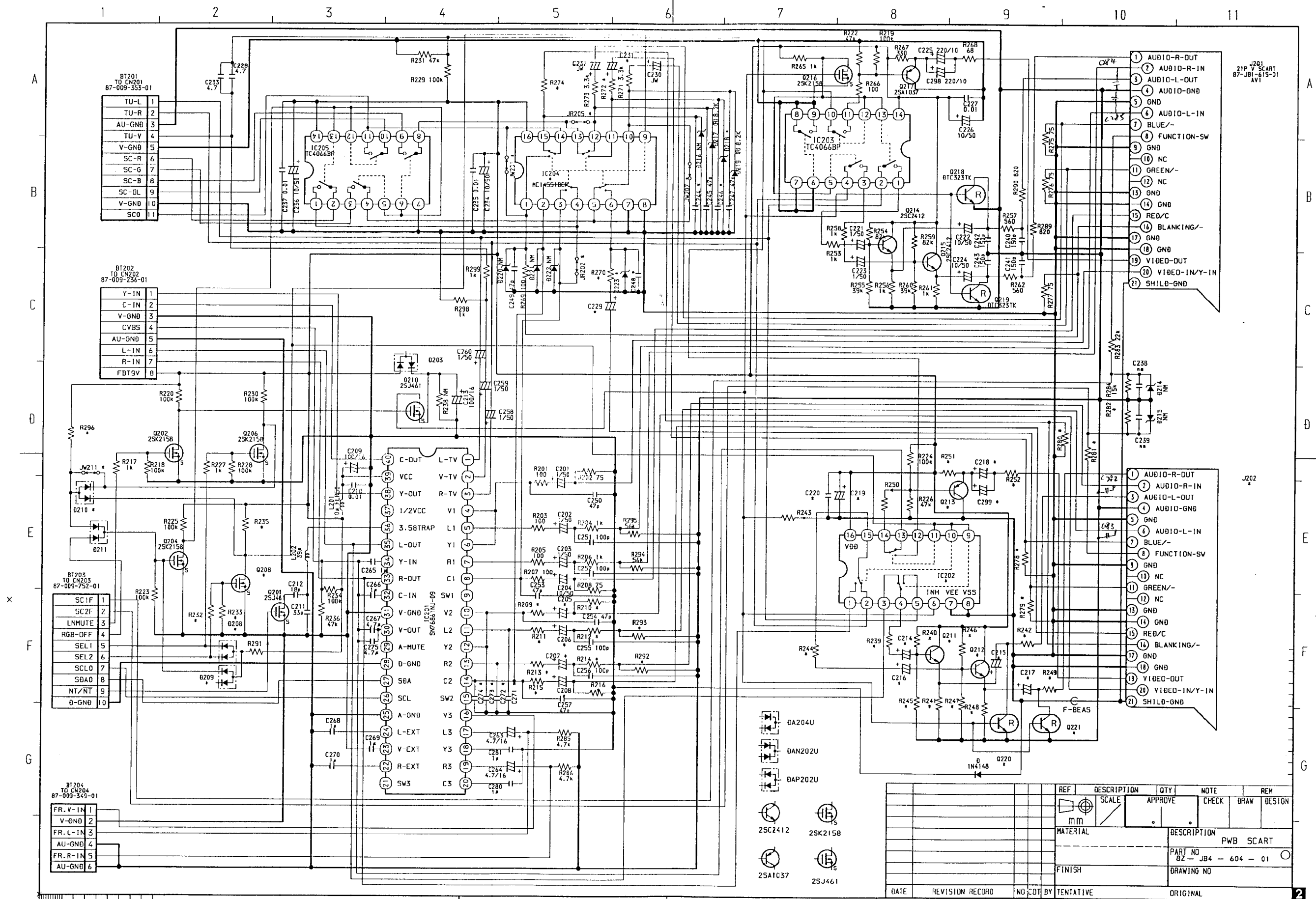


SCHEMATIC DIAGRAM - 1 (MAIN)



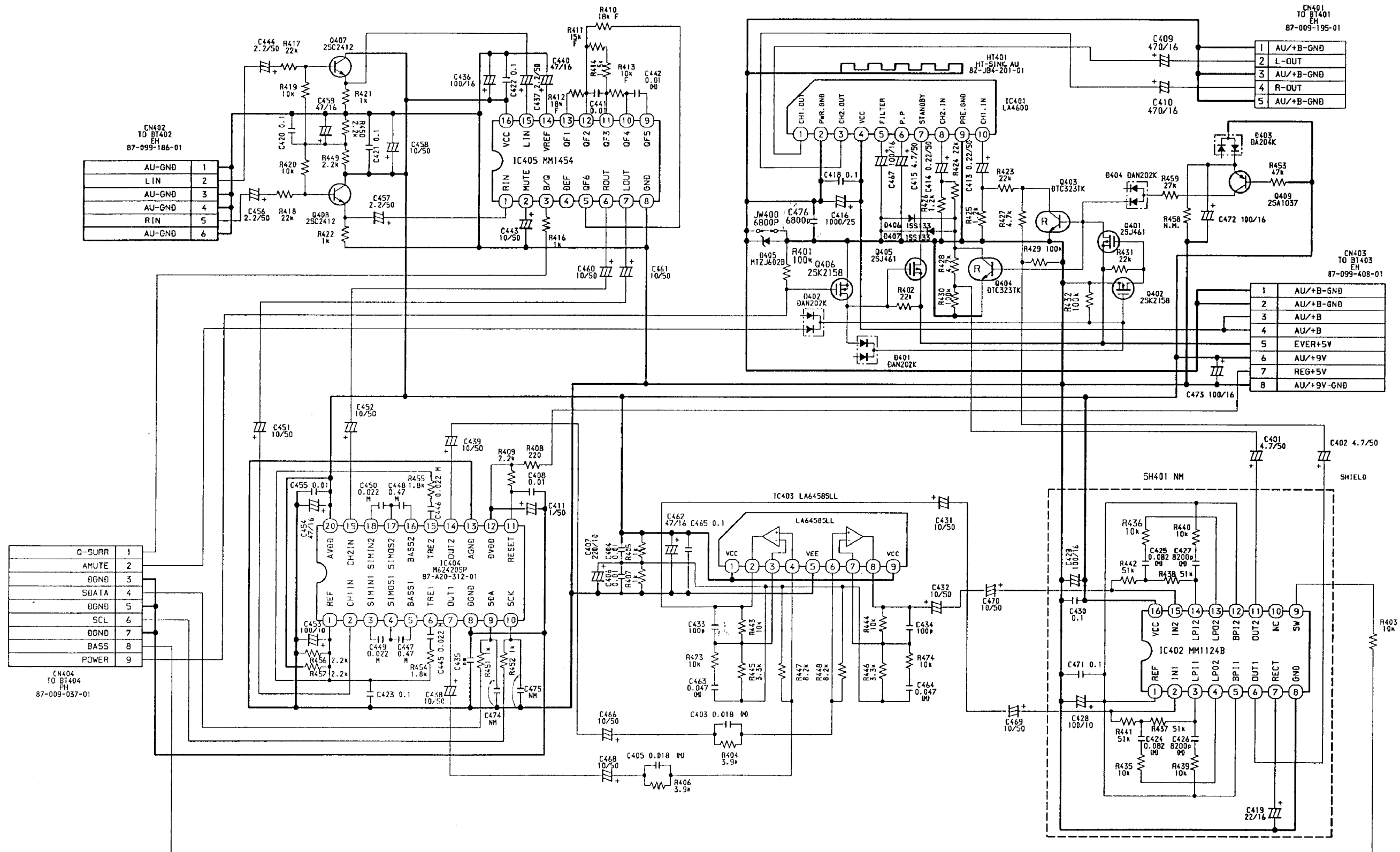
SCHEMATIC DIAGRAM - 2 (SCART)



aiwa

ISSUED 99.16.17

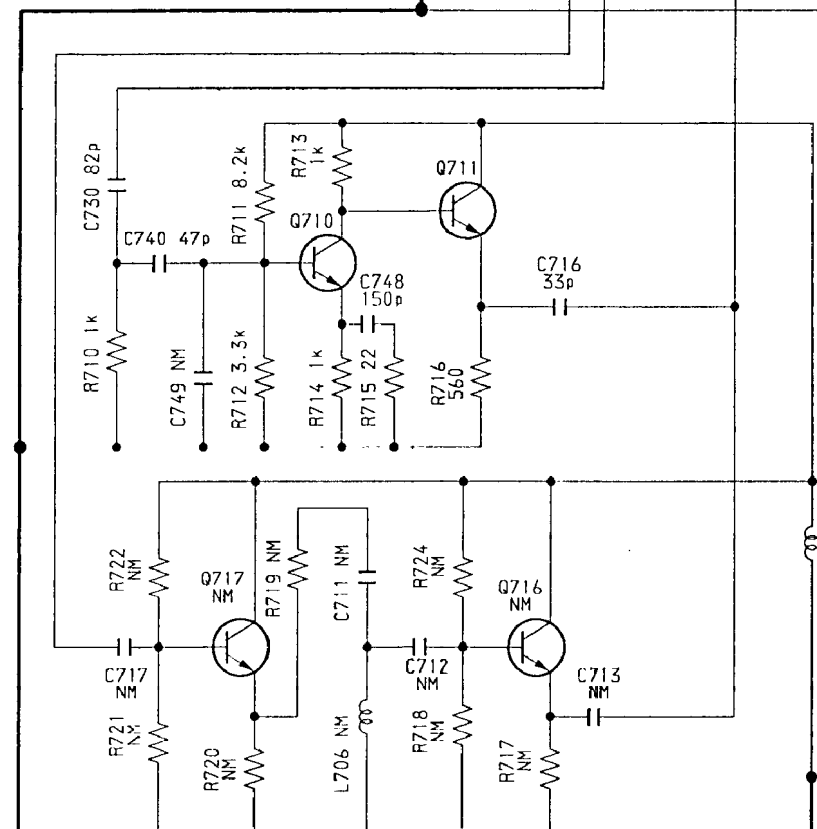
SCHEMATIC DIAGRAM - 4 (AUDIO)



SCHEMATIC DIAGRAM - 5 (NICAM)

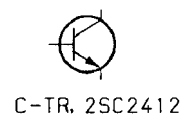
CN701
JL-R
87-A60-722-01

PAI SIF IN	1
TUNER-GND	2
NT SIF IN	3
TUNER-GND	4
SCLO	5
SDAO	6
θ-GND	7
N-RESET	8

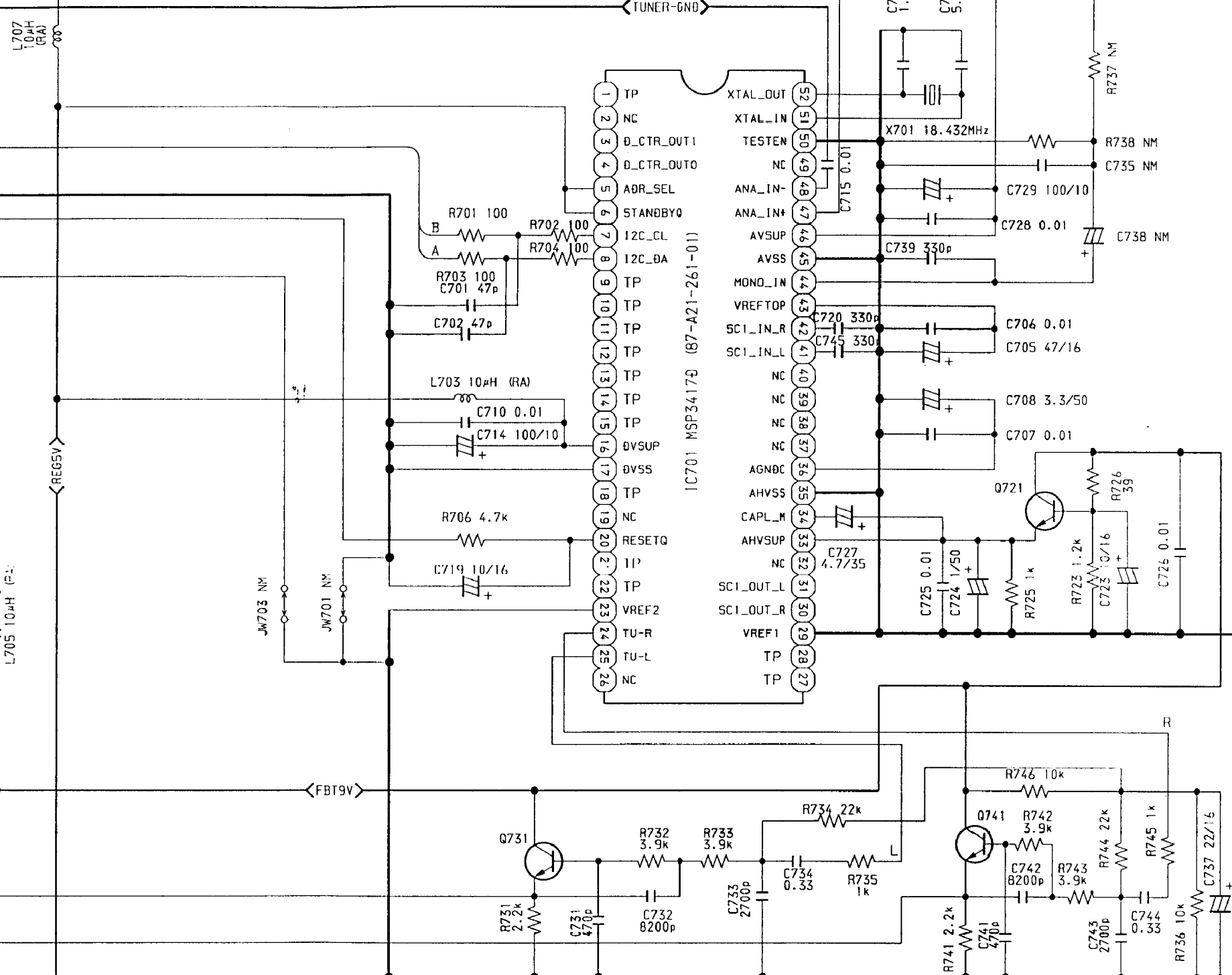


TU-L	1
AU-GND	2
TU-R	3
AU-GND	4
FBT9V	5
REG5V	6

CN702
JL-R
87-A60-720-01



C-TR. 25C2412



REF	DESCRIPTION	QTY	NOTE	REM
	SCALE	APPROVE	CHECK	DRAW DESIGN
	m/m			伊藤 伊藤
	MATERIAL	DESCRIPTION		
		PART NO		
	FINISH	DRAWING NO		
DATE	REVISION RECORD	NO	COT	BY
				TENTATIVE
				ORIGINAL

A
B
C
D
E
3

SCHEMATIC DIAGRAM - 6 (TEXT)

